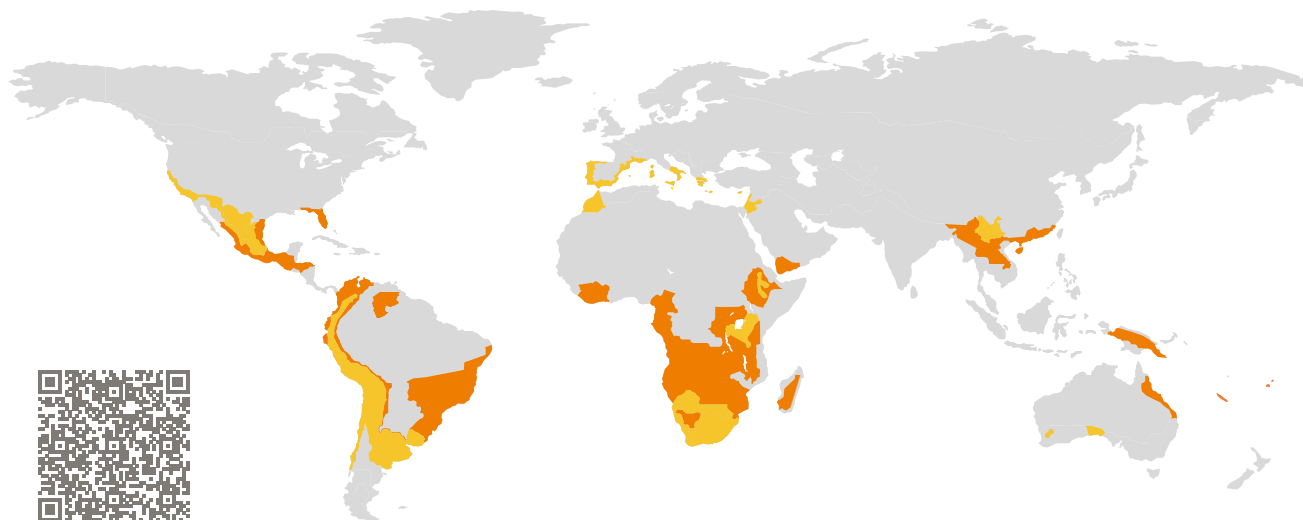


CERTIFICATE

Certified Passive House Component

Component-ID 1869wi05 valid until 31st December 2023

Passive House Institute
Dr. Wolfgang Feist
64283 Darmstadt
Germany

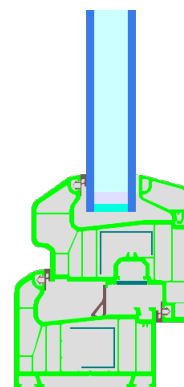


Category: **Window Frame**
Manufacturer: **Firat Plastik ve Kauçuk San.Tic.AS.,
Istanbul,
Turkey**
Product name: **Selenit 75**

**This certificate was awarded based on the following
criteria for the warm climate zone**

Comfort $U_W = 1.20 \leq 1.20 \text{ W}/(\text{m}^2 \text{ K})$
 $U_{W,\text{installed}} \leq 1.25 \text{ W}/(\text{m}^2 \text{ K})$
with $U_g = 1.10 \text{ W}/(\text{m}^2 \text{ K})$

Hygiene $f_{Rsi=0.25} \geq 0.55$



Passive House
efficiency class

phE

phD

phC

phB

phA

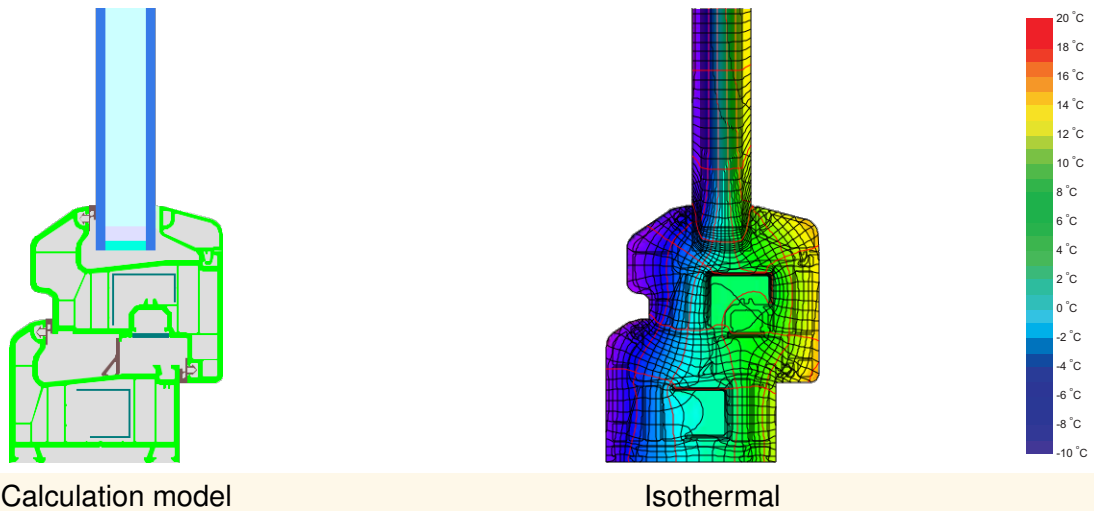
www.passivehouse.com

warm climate



**CERTIFIED
COMPONENT**

Passive House Institute



Description

PVC frame with steel reinforcements. The maximum size of the window with this reinforcement is 1.23 m by 2.00 m. Pane thickness: 26 mm (4/18/4), rebate depth: 20 mm. Swisspacer Ultimate with butyl secondary seal. There is no limitation to the colour finishes.

Explanation





The window U-values were calculated for the test window size of 1.23 m × 1.48 m with $U_g = 1.10 \text{ W}/(\text{m}^2 \text{ K})$. If a higher quality glazing is used, the window U-values will improve as follows:

Glazing	$U_g =$	1.10	1.05	0.95	0.90	$\text{W}/(\text{m}^2 \text{ K})$
		↓	↓	↓	↓	
Window	$U_W =$	1.20	1.17	1.10	1.07	$\text{W}/(\text{m}^2 \text{ K})$

Transparent building components are classified into efficiency classes depending on the heat losses through the opaque part. The frame U-Values, frame widths, thermal bridges at the glazing edge, and the glazing edge lengths are included in these heat losses. A more detailed report of the calculations performed in the context of certification is available from the manufacturer.

The Passive House Institute has defined international component criteria for seven climate zones. In principle, components which have been certified for climate zones with higher requirements may also be used in climates with less stringent requirements. In a particular climate zone it may make sense to use a component of a higher thermal quality which has been certified for a climate zone with more stringent requirements.

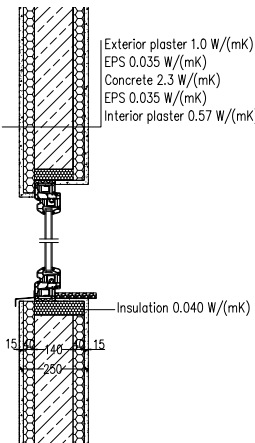
Further information relating to certification can be found on www.passivehouse.com and passipedia.org.

Frame values			Frame width b_f mm	U -value frame U_f W/(m ² K)	Ψ -glazing edge Ψ_g W/(m K)	Temp. Factor $f_{Rsi=0.25}$ [-]
Mullion 1 casement	(1M1)		130	1.27	0.027	0.64
Bottom	(OB1)		113	1.21	0.028	0.66
Top	(OH1)		113	1.21	0.028	0.66
Lateral	(OJ1)		113	1.21	0.028	0.66
Spacer: SWISSPACER ULTIMATE			Secondary seal: Butyl			

Validated installations

Formwork blocks (operable)

$U_{Wall} = 0.39 \text{ W}/(\text{m}^2 \text{ K})$



Exterior plaster 1.0 W/(mK)
EPS 0.035 W/(mK)
Concrete 2.3 W/(mK)
EPS 0.035 W/(mK)
Interior plaster 0.57 W/(mK)

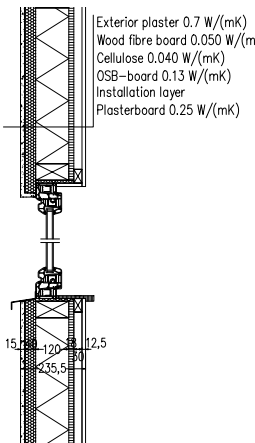
Insulation 0.040 W/(mK)

$\Psi_{install}$	W/(m K)
Top	0.006
Side	0.006
Bottom	0.019

$U_{W,installed} = 1.23 \text{ W}/(\text{m}^2 \text{ K})$

Lightweight timber (operable)

$U_{Wall} = 0.25 \text{ W}/(\text{m}^2 \text{ K})$



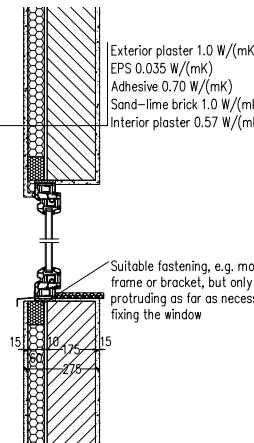
Exterior plaster 0.7 W/(mK)
Wood fibre board 0.050 W/(mK)
Cellulose 0.040 W/(mK)
OSB-board 0.13 W/(mK)
Installation layer
Plasterboard 0.25 W/(mK)

$\Psi_{install}$	W/(m K)
Top	0.007
Side	0.007
Bottom	0.020

$U_{W,installed} = 1.23 \text{ W}/(\text{m}^2 \text{ K})$

Exterior insulation and finishing system (EIFS) (operable)

$U_{Wall} = 0.47 \text{ W}/(\text{m}^2 \text{ K})$



Exterior plaster 1.0 W/(mK)
EPS 0.035 W/(mK)
Adhesive 0.70 W/(mK)
Sand-lime brick 1.0 W/(mK)
Interior plaster 0.57 W/(mK)

Suitable fastening, e.g. mounting frame or bracket, but only protruding as far as necessary for fixing the window

$\Psi_{install}$	W/(m K)
Top	0.011
Side	0.011
Bottom	0.027

$U_{W,installed} = 1.25 \text{ W}/(\text{m}^2 \text{ K})$

